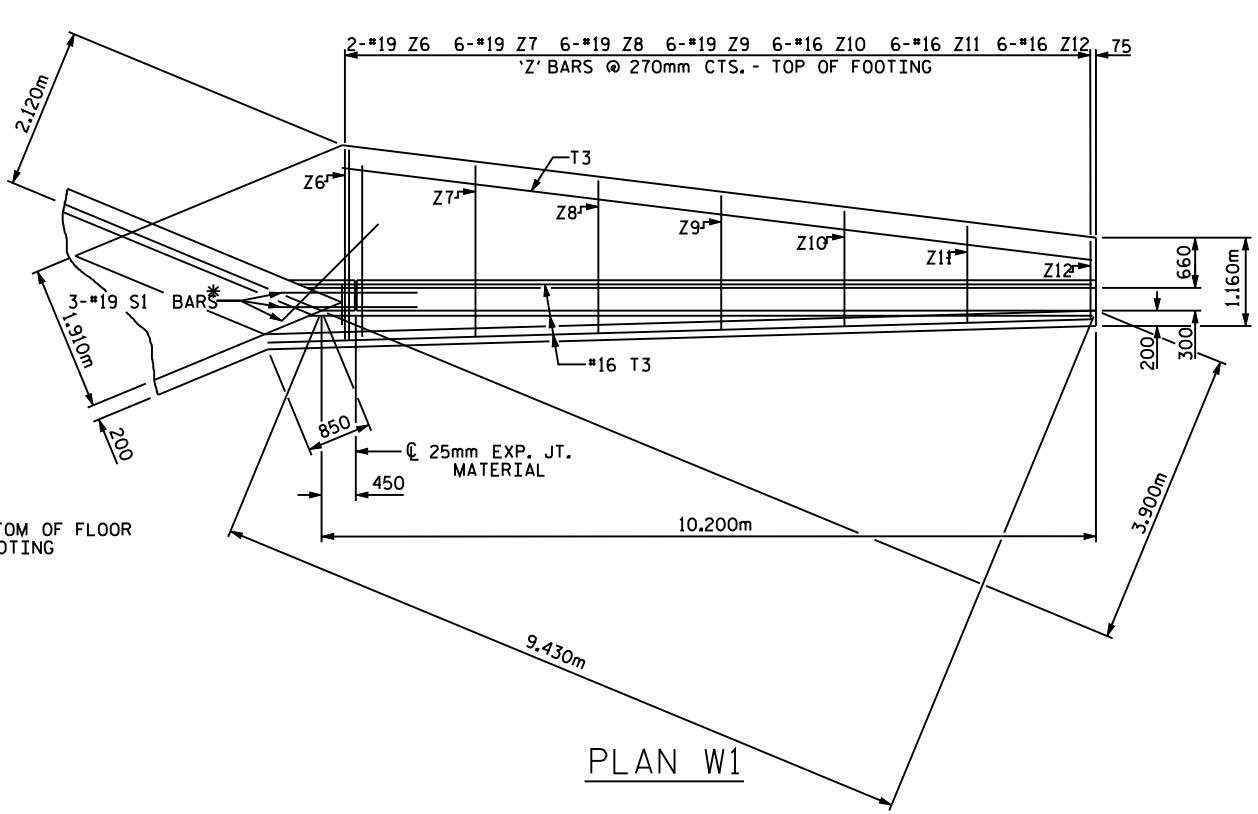
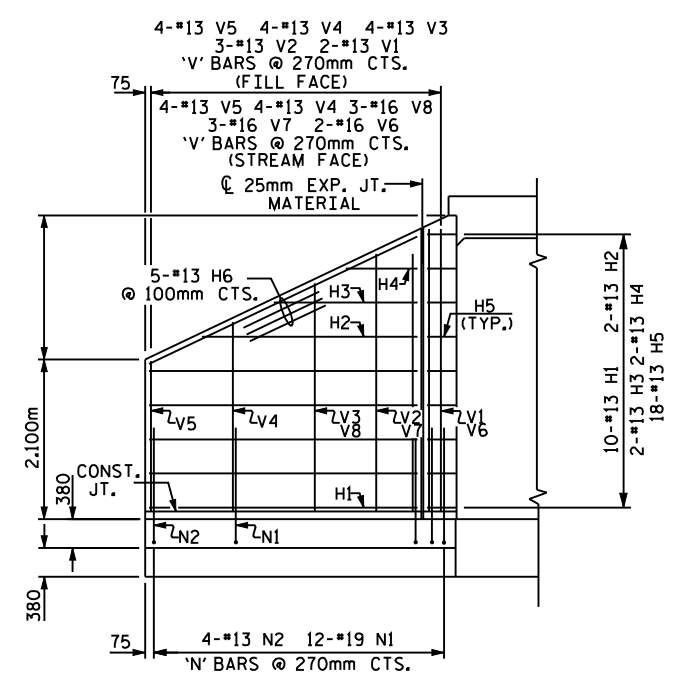


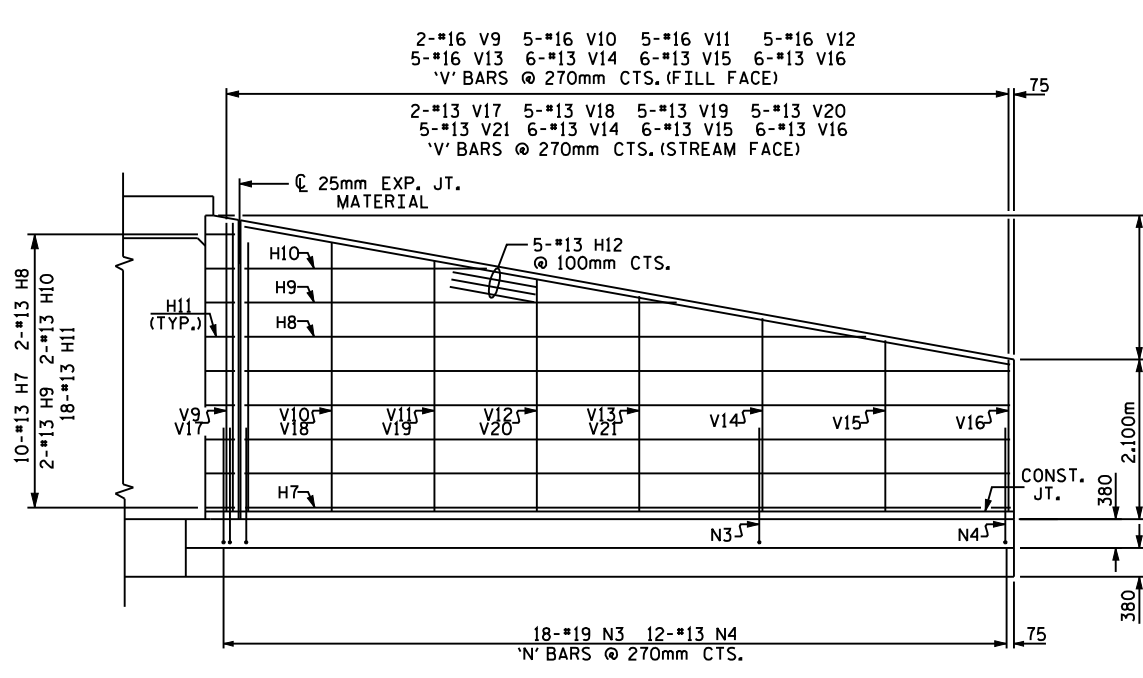
PLAN W2



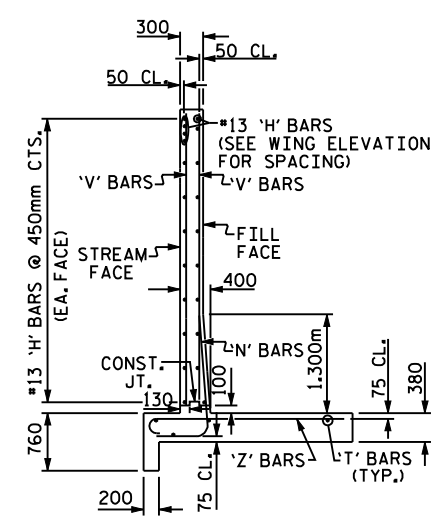
PLAN W1



ELEVATION W2



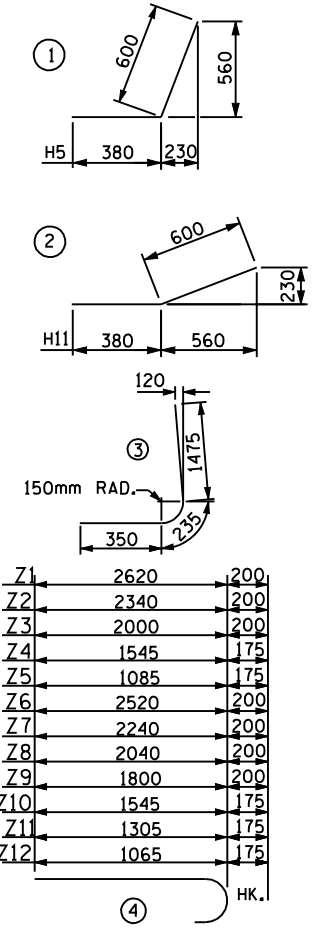
ELEVATION W1



TYPICAL WING SECTION

BAR TYPES

ALL BAR DIMENSIONS ARE OUT TO OUT.



BILL OF MATERIAL

BAR NO.	SIZE	TYPE	LENGTH	WEIGHT	
H1	20	13	STR	3540	70
H2	4	13	STR	2820	11
H3	4	13	STR	1880	7
H4	4	13	STR	920	4
H5	36	13	1	980	35
H6	10	13	STR	3900	39
H7	20	13	STR	9640	192
H8	4	13	STR	7980	32
H9	4	13	STR	5620	22
H10	4	13	STR	3240	13
H11	36	13	2	980	35
H12	10	13	STR	9800	97
N1	24	19	3	2060	110
N2	8	13	3	2060	16
N3	36	19	3	2060	166
N4	24	13	3	2060	49
S1	12	19	STR	1800	48
T1	6	16	STR	4100	38
T2	2	16	STR	4740	15
T3	8	16	STR	10200	127
V1	4	16	STR	3720	23
V2	6	16	STR	3380	31
V3	6	16	STR	3000	28
V4	16	13	STR	2500	40
V5	16	13	STR	1980	32
V6	4	13	STR	3720	15
V7	6	13	STR	3380	20
V8	6	13	STR	3000	18
V9	4	16	STR	3820	24
V10	10	16	STR	3660	57
V11	10	16	STR	3400	53
V12	10	16	STR	3140	49
V13	10	16	STR	2880	45
V14	24	13	STR	2580	62
V15	24	13	STR	2280	54
V16	24	13	STR	1960	46
V17	4	13	STR	3820	15
V18	10	13	STR	3660	36
V19	10	13	STR	3400	34
V20	10	13	STR	3140	31
V21	10	13	STR	2880	29
Z1	4	19	4	2820	25
Z2	6	19	4	2540	34
Z3	6	19	4	2200	30
Z4	8	16	4	1720	21
Z5	8	16	4	1260	16
Z6	4	19	4	2720	24
Z7	12	19	4	2480	67
Z8	12	19	4	2240	60
Z9	12	19	4	2000	54
Z10	12	16	4	1720	32
Z11	12	16	4	1480	28
Z12	12	16	4	1240	23

REINFORCING STEEL FOR 4 WING WALLS 2282 kg

CLASS A CONCRETE

2 END CURTAIN WALLS	
4 WINGS	55.0 m <sup>3</sup>
2 HEADWALLS	m <sup>3</sup>
TOTAL	m <sup>3</sup>

PROJECT NO. \_\_\_\_\_  
 \_\_\_\_\_ COUNTY  
 STATION: \_\_\_\_\_

SHEET OF \_\_\_\_\_

STATE OF NORTH CAROLINA  
 DEPARTMENT OF TRANSPORTATION  
 RALEIGH

STANDARD WINGS  
 FOR  
 CONCRETE BOX CULVERT  
 H=3.700m SLOPE=2:1  
 45° OR 135° SKEW

ASSEMBLED BY :	DATE :
CHECKED BY :	DATE :
DRAWN BY : FPP 07/97	
CHECKED BY : VAP 07/97	

FOR WING ORIENTATION, SEE BARREL STANDARD SHEET.

REVISIONS					SHEET NO.
NO.	BY:	DATE:	NO.	BY:	DATE:
1			3		
2			4		

TOTAL SHEETS